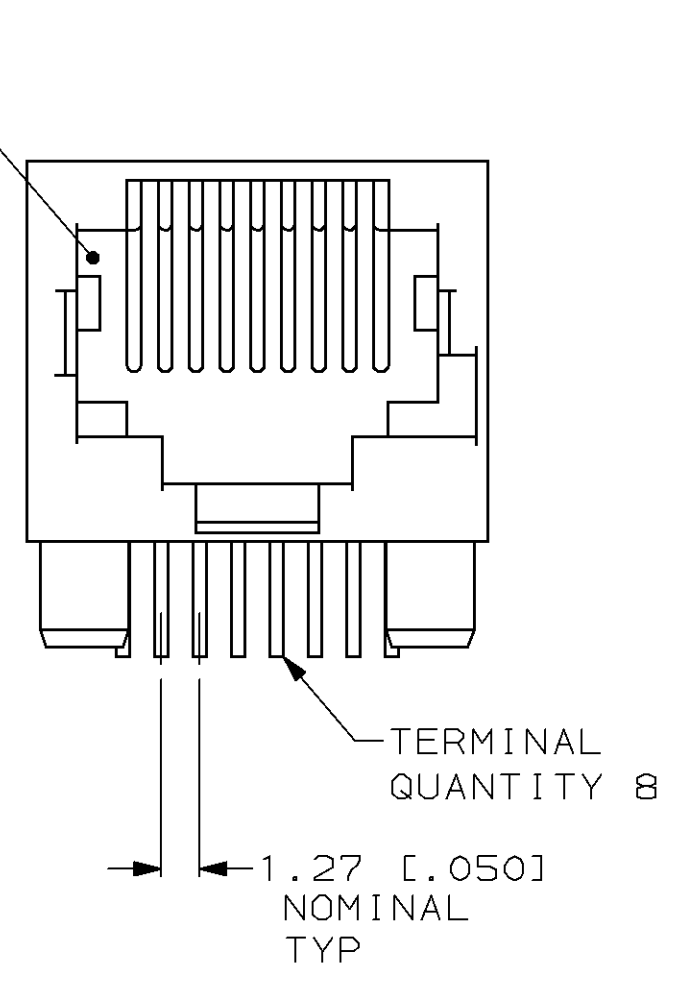
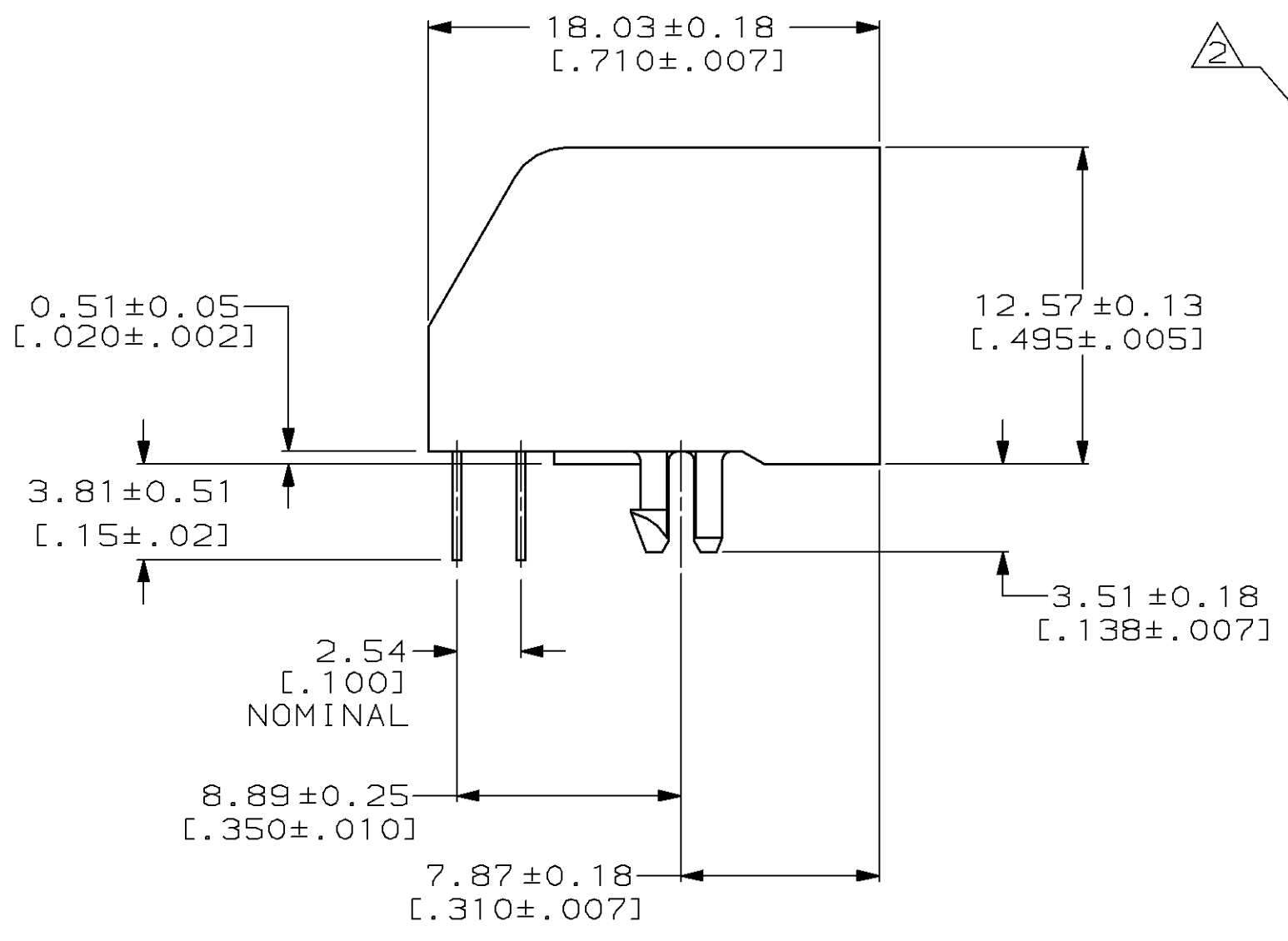
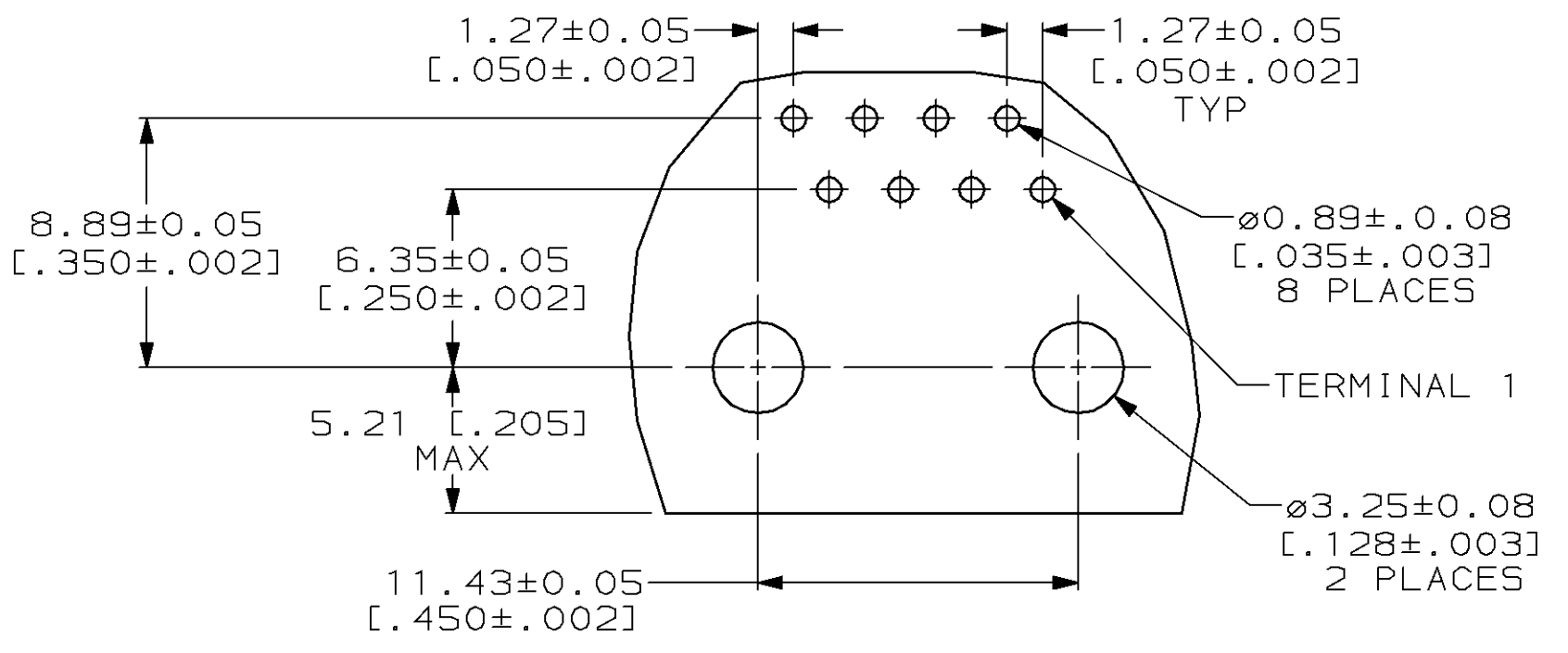
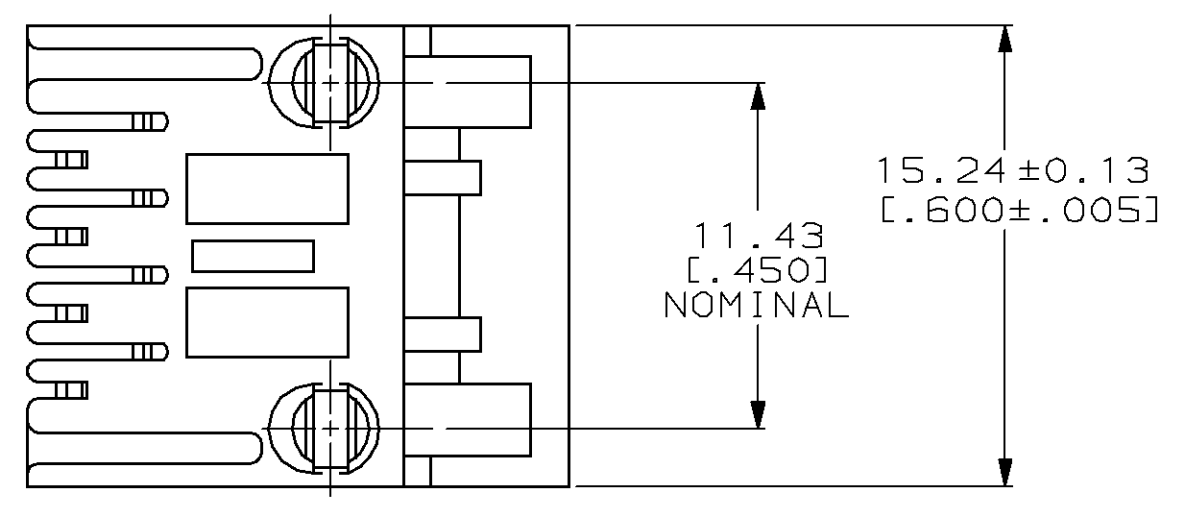


LOC	DIST	P	F	REVISIONS				
AA	22			ZONE	LTR	DESCRIPTION	DATE	APPD
				B		REV; EC 0210-0520-96	05NOV96	DS KW



- 1 MATERIAL: HOUSING - HTN MOLDING COMPOUND, 94 V0, BLACK, IR COMPATIBLE. TERMINAL - PHOS BRONZE PLATED WITH 1.27µm [0.000050] MINIMUM THICK HARD GOLD IN LOCALIZED GOLD PLATE AREA AND 3.81µm [0.000150] MINIMUM THICK TIN-LEAD IN SOLDER AREA OVER 1.27µm [0.000050] MINIMUM THICK NICKEL UNDERPLATE.
- 2 CAVITY CONFORMS TO FCC RULES AND REGULATIONS PART 68, SUBPART F.
- 3. BULK PACKAGED IN A TRAY.
- 4 THIS ASSEMBLY IS SURFACE MOUNTING COMPATIBLE.



SUGGESTED PRINTED CIRCUIT BOARD
 MOUNTING HOLE LAYOUT
 LAYOUT SHOWN FROM CIRCUIT SIDE OF BOARD

THIS DRAWING IS A CONTROLLED DOCUMENT FOR AMP INCORPORATED. IT IS SUBJECT TO CHANGE AND THE CONTROLLING ENGINEERING ORGANIZATION SHOULD BE CONTACTED FOR THE LATEST REVISION.

DO NOT SCALE PRINT. UNLESS SPECIFIED DIMENSIONS IN mm [INCHES] TOLERANCES ON:		DR 1-19-95 D.L. DRUMMOND		PART NO 569118-1	
2 PLC DEC ± -		CHK 1-23-95 C. WHITT		AMP Incorporated Harrisburg, PA 17105-3608	
3 PLC DEC ± -		APPD 1-30-95 J. TONEY		NAME MODULAR JACK ASSEMBLY, 8 POSITION, LOW PROFILE, RIGHT ANGLE, KEYED, WITHOUT PANEL STOPS	
ANGLES ± -		APPD 1-30-95 H. McGRATH		DRAWING NO G=569118	
MATERIAL		PRODUCT SPEC 1089-1163		SIZE C 00779	
FINISH		APPLICATION SPEC 114-2048		CAGE CODE 00779	
		WEIGHT -		SCALE 4:1	
				DRAWING NO G=569118	
				SHEET 1 OF 1	